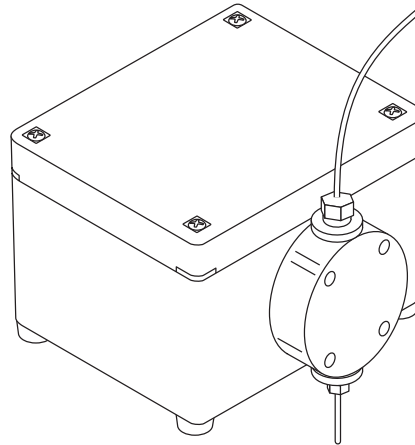


CU AromaFlo

BOX CONTENTS:

- Metering Pump
- Shipping Hose
- 6 ft Pressure Hose
- 2 ft Suction Hose with Filter
- 1/2 inch NPT Atomizing Nozzle
- Injector with Injection Line
- Scent Container Cover
- Receptacle and Faceplate
- Warning Sign
- Installation & Operation Manual



- Electronic oil delivery system works in conjunction with the Digital 1 Control to evenly infuse scent into the steam
- Complete with hoses, fittings and oil atomizer
- AromaSteam System oils available in one gallon bottles.
- The AromaSteam is rated 12 watts at 120 VAC
- The pump is 7" long x 6.5" wide x 4.5" high.
- cULus Listed

Mr. Steam offers special formulated & packaged oils for use with the AromaFlo in the following fragrances:

- CU Eucalyptus
- CU Lavender

FOR ILLUSTRATIVE PURPOSES ONLY. IMPORTANT NOTE: FOR SAFE AND TROUBLE FREE INSTALLATION visit mrsteam.com or scan the QR code before installation to download the Installation, Operation and Maintenance Manual or refer to the manual provided with the unit.



MODEL	PROJECT INFORMATION	
CU AromaFlo	Location:	Contractor:
	Architect:	Submitted By:
	Engineer:	Date:
Notes:		